

Induktive Displacement Transducer

Series **SM31**

Programmable Inductive Transducer

The analogue signal of an inductive sensor is digitised in a 16bit A/D converter and processed in a micro-controller. The signal is linearised using the sensor's eeprom-stored variance of accuracy. Through a 16bit D/A converter the digital information is transformed back into a scaled analogue output signal of 0(4) – 20mA or 0 – 5(10)V. The measuring stroke can be individually programmed by the user.

Standard dimensions:

type	Measuring stroke mm (factory preset)	Programmable measuring stroke	
		maximum mm	minimum mm ≤
SM31x.5	5	6	1
SM31x.10	10	11	2
SM31x.15	15	16	3

Standard versions:

type	output U_A / I_A	Supply voltage U_B (pole reversal protection)	signal ** (decreasing programmable)	mid
SM311	0 .. 20 mA *	9 .. 32 V	increasing	10 mA
SM313	4 .. 20 mA *	9 .. 32 V	increasing	12 mA
SM317	0..10 V	14 .. 32 V	Increasing	5 V
SM319	0..5 V	8,5 .. 32 V	increasing	2,5 V

* load $R_L \leq (U_B - 7 V) / 0,02 A$

** Increasing signal by moving the plunger in the direction towards the plug (factory preset)

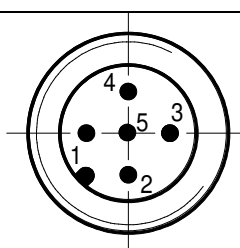
Technical data:

Accuracy (at 20°C)	0,25% (optional 0,1%) (reference: factory preset stroke)
Resolution	16 Bit
Output dependence on R_L	< 0,02% for $\Delta R_L = 100\Omega$
Output dependence on U_B	< 0,02% for $\Delta U_B = 1V$

For other data, dimensions and options, see datasheet SM30

Electrical connections:

(view to the plug at the transducer)

5-pin plug Binder BI723	PUR-cable (Option .KPx) 5 x 0,34 ² shielded (x = cable-length in meter)
1: + U_B 2: - U_B (0V) - I_A 3: + I_A / U_A (output) 4: START 5: END 	Brown + U_B (supply) White - U_B (0V) - I_A Green + I_A / U_A (output) Orange START Gree END

Programming an individual measuring stroke:

Notice:

Correct programming is only possible if the position of the plunger is within the maximum measuring stroke and the planned measuring stroke is not less than the specified minimum stroke (see table of “standard dimensions” on page 1).

With the sensor connected to the power supply and the output monitored, the sensor can be programmed by connecting START or/and END with $+U_B$ for a minimum of 2 seconds. Correct programming is indicated by a short jump (1 second) of the output signal to the mid-position signal.

Between every single programming step there has to be a minimum delay of 2 seconds (with START and END connected to $-U_B$ or open).

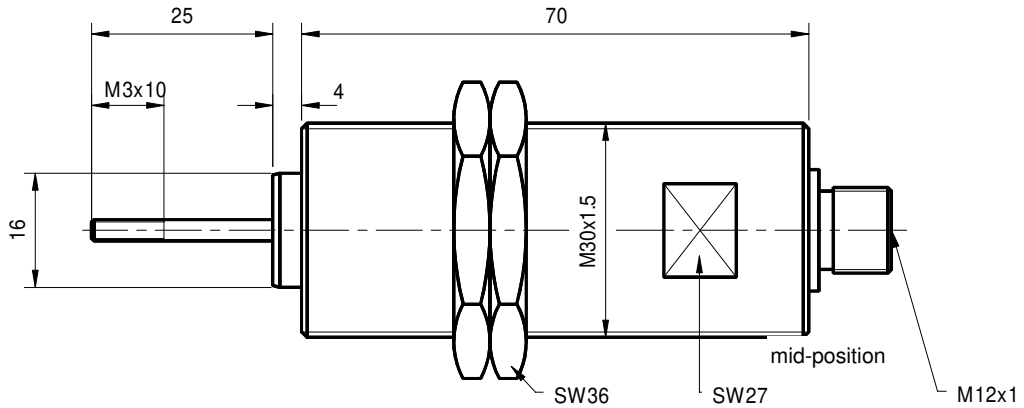
programming step	name	what to do	indicator output signal	error message
1	reprogramming the factory preset	connect START and (together) END to $+U_B$ (2 sec.)	mid-position (1 sec.) followed by correct measuring signal	Warning, if plunger is not within the maximum stroke: $\frac{1}{4}$ -position signal (1 sec.) factory preset will be programmed
2	set start position	adjust plunger mechanically to the start position		
3	programming START position	connect START to $+U_B$ (2 sec.)	mid-position (1 sec.) followed by start output signal	Two error possibilities if plunger is <u>not within the maximum measuring stroke:</u> Error message $\frac{1}{4}$ - position signal (1 sec.) START position is set to the nearest limit of the maximum measuring stroke Message mid-position ¹ (1 sec.) START position <u>not correct</u> programmed !
4	set end position	adjust plunger mechanically to the end position		
5	programming END position	connect END to $+U_B$ (2 sec.)	mid-position (1 sec.) followed by end output signal	Less than the minimum measuring stroke: $\frac{3}{4}$ - position signal (1 sec.) No programming ! Two error possibilities if plunger is <u>not within the maximum measuring stroke:</u> Error message $\frac{1}{4}$ - position signal (1 sec.) END position is set to the nearest limit of the maximum measuring stroke Message mid-position ¹ (1 sec.) END position <u>not correct</u> programmed !

¹ Please make sure that the plunger is mechanically within the maximum programmable measuring stroke during programming (see table of standard dimensions on page 1).

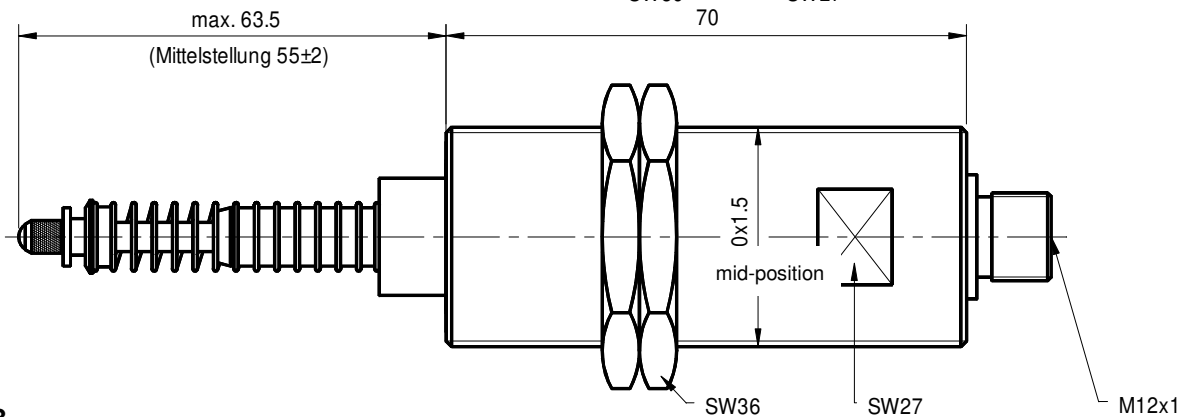
During normal measurement operation, we recommend to connect START and END to $-U_B$.

Dimensions in mm

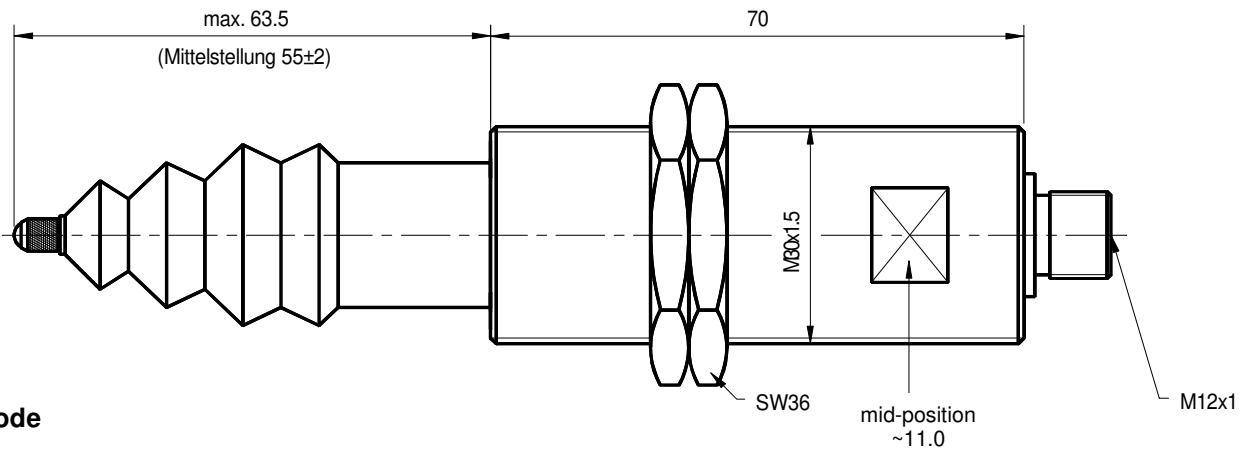
**Standard
SM31**



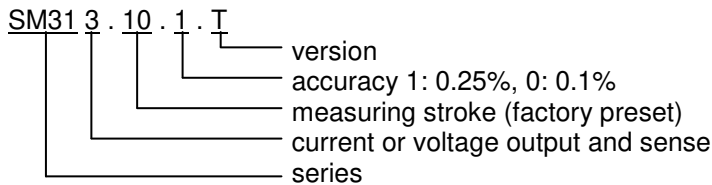
SM31.T



SM31.B



Order code



Order code for customer specified versions will be named at plant.

For example: SM313.40.1.T

Sensor series 31, output 4-20 mA , 10mm measuring stroke (factory preset), accuracy 0.25%, connector, gauge type

Your Distributor



a.b.jödden gmbh
Europark Fichtenhain A 13a
47807 Krefeld, Germany
Phone +49 2151 516259 0
Fax +49 2151 516259 20
info@abjoeden.de
www.abjoeden.de